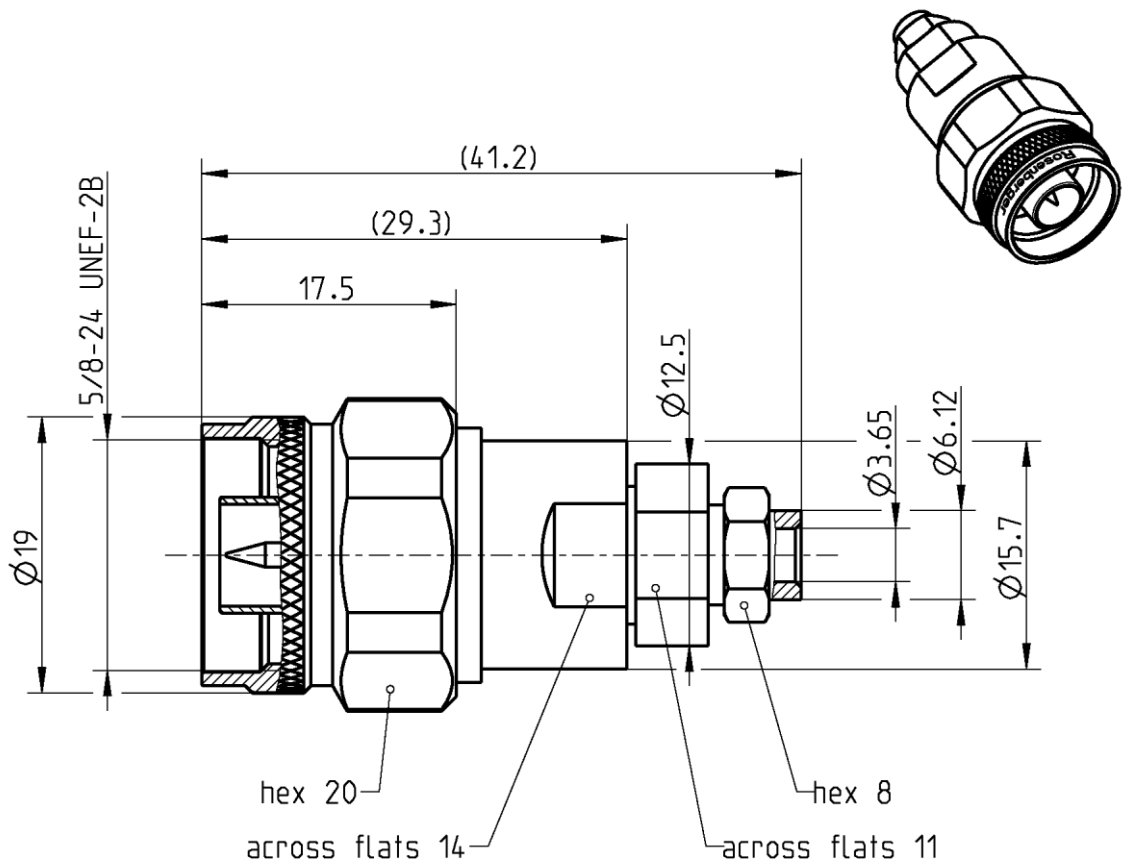


RPC-N
50 Ω

Straight plug

05S121-272S3



All dimensions are in mm; tolerances according to ISO 2768 m-H

Interface

According to IEC 61169-16; MIL-STD 348A/402

Documents

Assembly instruction 02 A3

Material and plating

Connector parts

Center contact
Outer contact
Coupling nut
Dielectric
Solder sleeve

Material

CuBe
Stainless steel
Stainless steel
PPE
Brass

Plating

Gold, min. 1.27 μm, over chemical nickel
Passivated
Passivated
Gold, 0.1 μm min.

RPC-N
50 Ω

Straight plug

05S121-272S3

Electrical data

Impedance 50 Ω
 Frequency DC to 18 GHz
 Return loss ≥ 25 dB, DC to 18 GHz
 Insertion loss ≤ 0.03 x √f(GHz) dB
 Insulation resistance ≥ 5 GΩ
 Test voltage (at sea level) 1000 V rms
 Working voltage (at sea level) 335 V rms
 RF-leakage ≥ 90 dB up to 1 GHz

- Limitations are possible due to the used cable type -

Mechanical data

Mating cycles ≥ 500
 Center contact captivation ≥ 28 N
 Coupling test torque 1.70 Nm
 Recommended torque 0.70 Nm to 1.10 Nm

Environmental data

Temperature range -40°C to +85°C
 Thermal shock IEC 61169-1, Subclause 9.4.4
 Corrosion IEC 61169-1, Subclause 9.4.6
 Vibration IEC 61169-1, Subclause 9.3.3
 Shock IEC 61169-1, Subclause 9.3.14
 Moisture resistance IEC 61169-1, Subclause 9.4.3
 RoHS compliant

Tooling

N/A

Suitable cables

UT 141 / RTK-FS 141 / RTK-Flex 402

Weight

46.8 g/pce

While the information has been carefully compiled to the best of our knowledge, nothing is intended as representation or warranty on our part and no statement herein shall be construed as recommendation to infringe existing patents. In the effort to improve our products, we reserve the right to make changes judged to be necessary.

Draft	Date	Approved	Date	Rev.	Engineering change number	Name	Date
A. Mäiwälder	11.11.05	F. Reiner	02.07.18	c01	18-1026	M. Ruf	29.06.18