

4

3

2

1

D

D

C

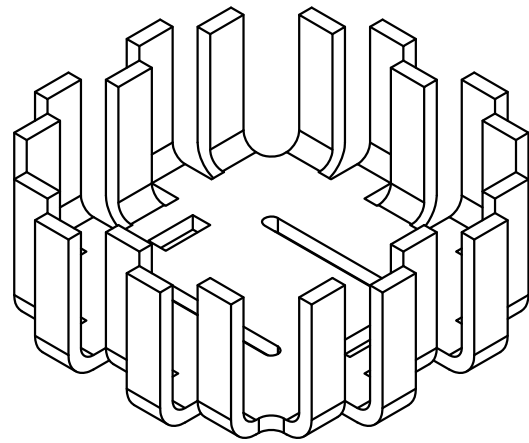
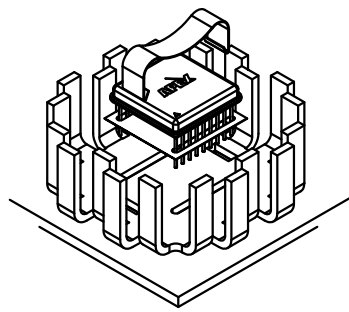
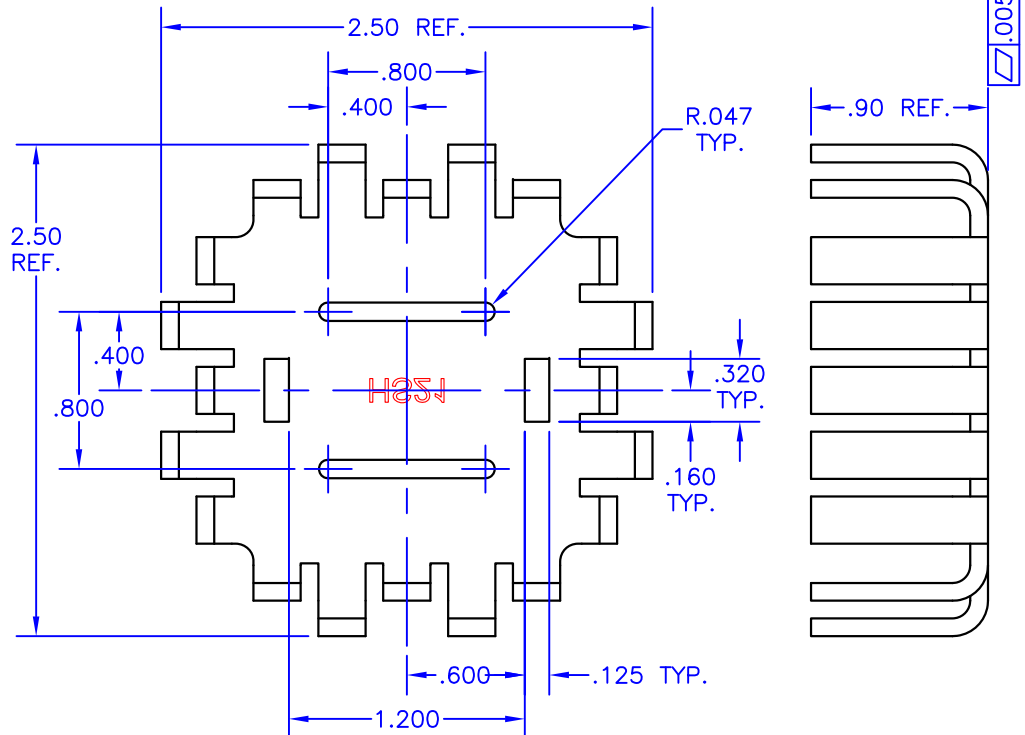
C

B

B

A

A



NOTES:

1. Unless otherwise noted, all dimensions are in inches.
2. Break all sharp edges, de-burr & remove loose chips.
3. Material: 6063-T5 aluminum (M/F CTS/IERC HP1-218 series)
4. Finish: Anodize per MIL-A-8625, Type II, Class 2, Black
Typical breakdown voltage > 300V
5. Mark with contrasting ink as shown, if specified by P.O.
6. Approximate Weight: 1.1 oz. [31g]
7. Thermal Rating: 5.6 °C/W

TOLERANCES - UNLESS OTHERWISE SPECIFIED .XX = ±.01 [.254] .XXX = ±.005 [.127] ANG. = ±5°		TITLE: DIP HEATSINK				MODEL: HS21				
		SUBJECT: MECHANICAL DRAWING								
ENGINEER: D-M		DRAWN BY: R.MOR		DCAL: 13497		SHL: 1 OF 1		FILENAME: HS21	REV: E	DATE: 03JAN14

4

3

2

1