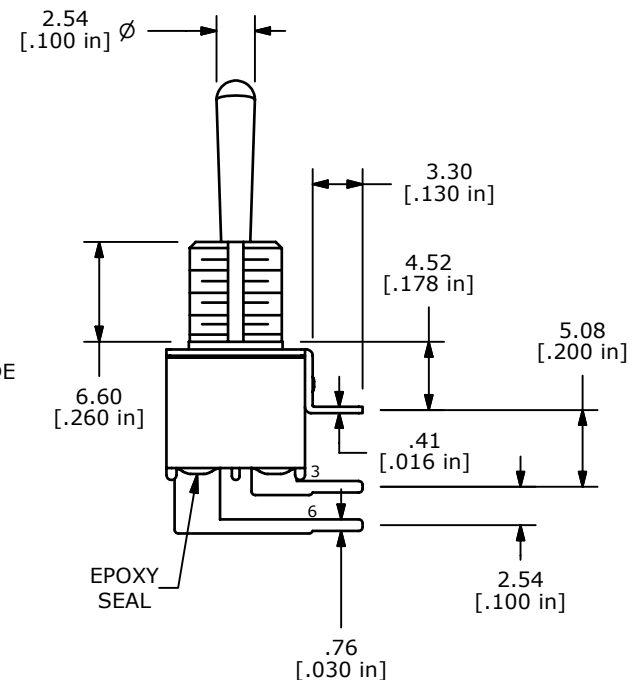
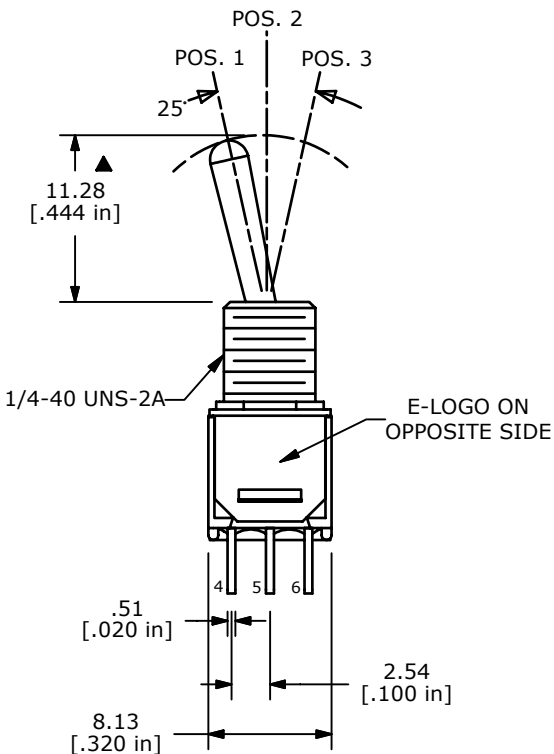
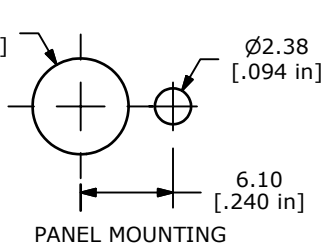
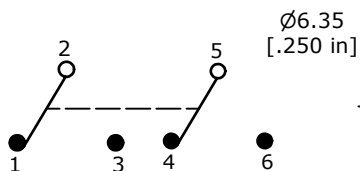
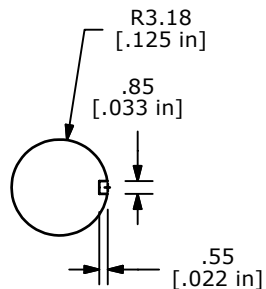


SWITCH FUNCTION		
POS. 1	POS. 2	POS. 3
ON	OFF	ON
2-3, 5-6	OPEN	2-1, 5-4



- NOTE:
1. ALL DIMENSIONS IN MM [INCH]
 2. GENERAL TOLERANCE: X.X=±0.4
X.XX=±0.25
 3. TERMINAL NUMBERS FOR REF ONLY
 - ▲ 4. PLATING MATERIAL: SILVER
 5. RATING: 3 AMPS @ 120VAC OR 28VDC; 1 AMPS @ 250VAC
 6. ELECTRIC LIFE: 30,000 MAKE-AND-BREAK CYCLES AT FULL LOAD.
 7. INSULATION RESISTANCE: 1,000 MEGA-OHM MIN.
 8. DIELECTRIC STRENGTH: 1,000 V RMS @SEA LEVEL.
 9. OPERATING TEMP.: -30°C to 85°C
 10. ▲ DENOTES CRITICAL PARAMETER.
 11. HARDWARE TO BE SHIPPED BULK:
T100000 - HEXNUT - QTY. 2
T100011 - LOCKWASHER - QTY. 1
T100015 - LOCKRING - QTY. 1

E-SWITCH®

A	17939	RELEASED FOR PRODUCTION	1/29/08	BLR
REV	PCR NO	DESCRIPTION	DATE	BY

TITLE 200MDP3T4B7M6QEH				
SCALE	DATE	DR	DWG	REV
2:1	1/29/2008	BLR	ST223054	A

THE INFORMATION CONTAINED IN THIS DOCUMENT IS PROPRIETARY TO E-SWITCH AND IS NOT TO BE COPIED OR TRANSFERRED