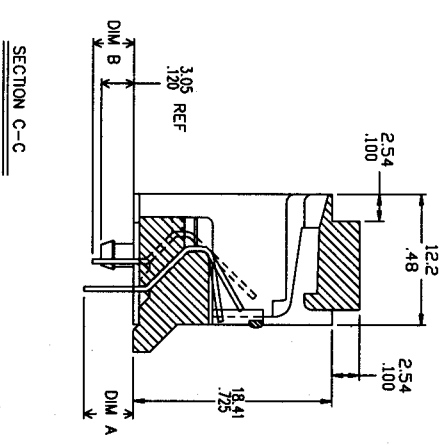
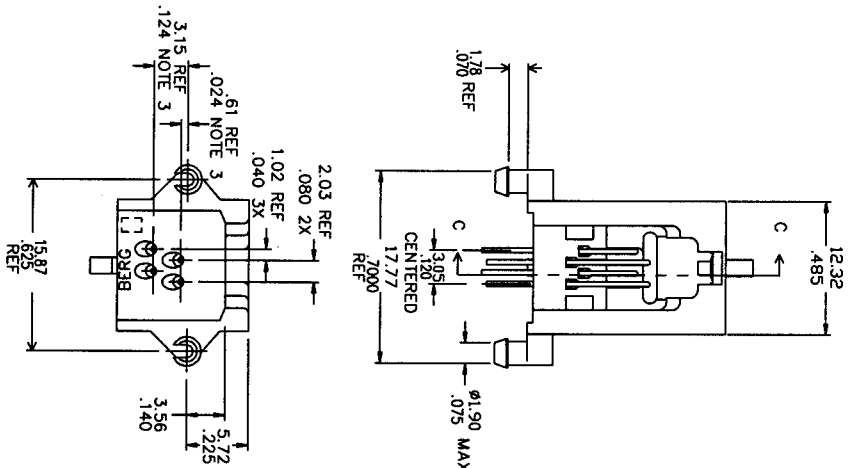




All rights reserved. Reproduction or use in any form without written authority from the proprietor.
 Copyright © 2007 FCI Electronics
 FCI Electronics

Tous droits réservés. Toute réimpression ou utilisation sans autorisation écrite de la propriété.
 Copyright © 2007 FCI Electronics
 FCI Electronics

PRODUCT NO	DIM A	DIM B	HOUSING MATERIAL	CONTACT PLATING	REMARKS
66010-001/-001LF	4.57 ^{+0.14} / _{-0.14} /180 ^{+0.05} / _{-0.05}	3.81 ^{+0.14} / _{-0.14} /150 ^{+0.05} / _{-0.05}	SUPER TOUGH NYLON UL 94V-0 GRAY	.76m /30m *AU OVER 2.5m /100m *Ni	
66010-002/-002LF	4.45±0.38 /175±.015	4.45±0.38 /175±.015		.76m /30m *AU OVER 2.5m /100m *Ni	
66010-003	3.99±0.30 /158±.012	3.99±0.30 /158±.012		.76m /30m *AU OVER 2.5m /100m *Ni	WAVE FROM 66010-001 OR -002
66010-004/-004LF	4.57 ^{+0.14} / _{-0.14} /180 ^{+0.05} / _{-0.05}	3.81 ^{+0.14} / _{-0.14} /150 ^{+0.05} / _{-0.05}		.76m /30m *GXT	
66010-005/-005LF	4.57 ^{+0.14} / _{-0.14} /180 ^{+0.05} / _{-0.05}	3.81 ^{+0.14} / _{-0.14} /150 ^{+0.05} / _{-0.05}	SUPER TOUGH NYLON UL 94V-0 GRAY	.76m /30m *AU OVER 2.5m /100m *Ni	
66010-006/-006LF	4.57 ^{+0.14} / _{-0.14} /180 ^{+0.05} / _{-0.05}	3.81 ^{+0.14} / _{-0.14} /150 ^{+0.05} / _{-0.05}	SUPER TOUGH NYLON UL 94V-0 BLACK	.76m /30m *GXT	



- NOTES:
1. FOR VISUAL, MECHANICAL AND FUNCTIONAL REQUIREMENTS SEE SPECIFICATION BUS-12-084.
 2. GOLD WIRE MATERIAL: PHOS BRONZE ALLOY; UNS-C51000, 135-150M PSI TENSILE PLATING: SEE TABLE
 3. DIMENSIONAL TOLERANCE: ±.25/±.010 AT BASE ±.64/±.025 AT TIP
 4. FOR ADDITIONAL APPLICATION AND MOUNTING INFORMATION SEE DRAWING TA-390.
 5. HOUSING MATERIAL: SEE TABLE.
 6. TEST METHOD PER UL-1863 SECTION 22.2
 7. THE PRODUCT MEETS EUROPEAN UNION DIRECTIVES AND OTHER COUNTRY REGULATIONS AS DESCRIBED IN GS-22-008.
 8. THE HOUSING WILL WITHSTAND EXPOSURE TO 280°C PEAK TEMPERATURE FOR 10 SECONDS IN A WAVE SOLDER APPLICATION WITH A 1.60mm MINIMUM THICK CIRCUIT BOARD.
 9. IF LF P/N PACKAGING MEETS GS-14-920 SPECIFICATION.

REV	DATE	BY	CHKD	DESCRIPTION
P	06/11/91	KC		INITIAL
R	03/14/92	KC		INITIAL
S	09/13/93	TC		INITIAL
T	02/13/96	CL		INITIAL
U	02/22/01	C C		INITIAL
V	02/19/05	YS		INITIAL

Sheet	Revision	Index
1	V	1

tolerances unless otherwise specified	0 ± 0.25
	.00 ± 0.13
	.000± 0.05

CUSTOMER COPY	FCI Electronics
TITLE	BERG MOD JACK ASSY
PRODUCT FAMILY	MOD JACK
SIZE	A3
SCALE	2.5 : 1
DATE	09/14/93
BY	TONY CHEN
CHKD	TONY CHEN
ENGR	TONY CHEN
APPD	JENN TSAO