

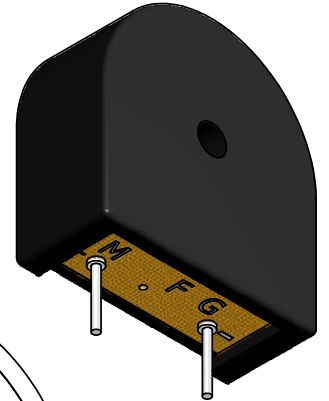
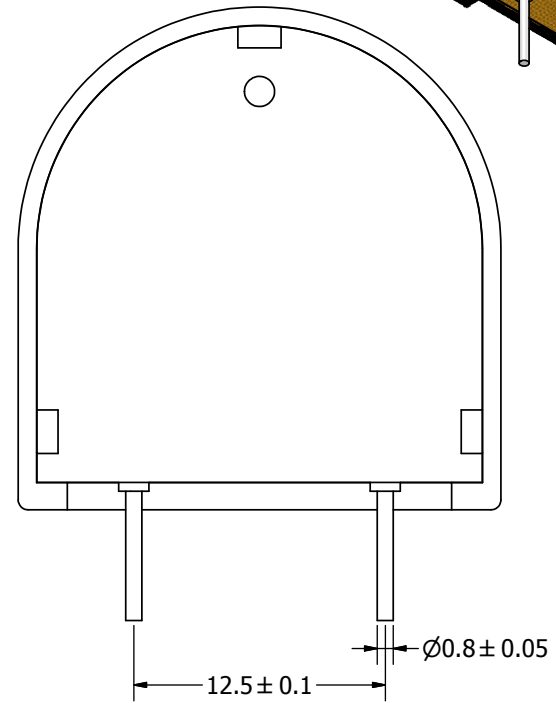
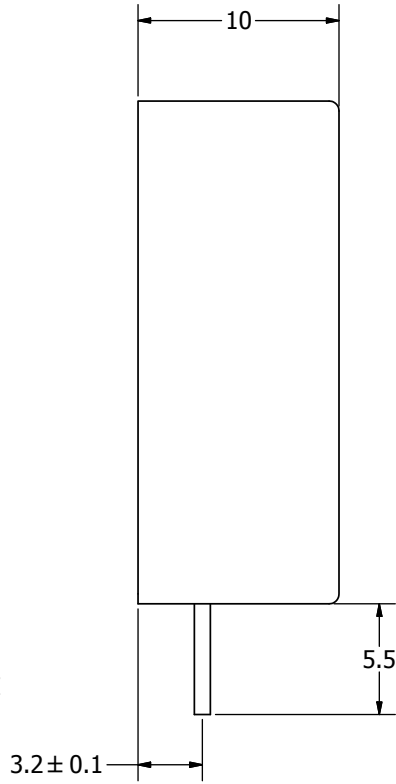
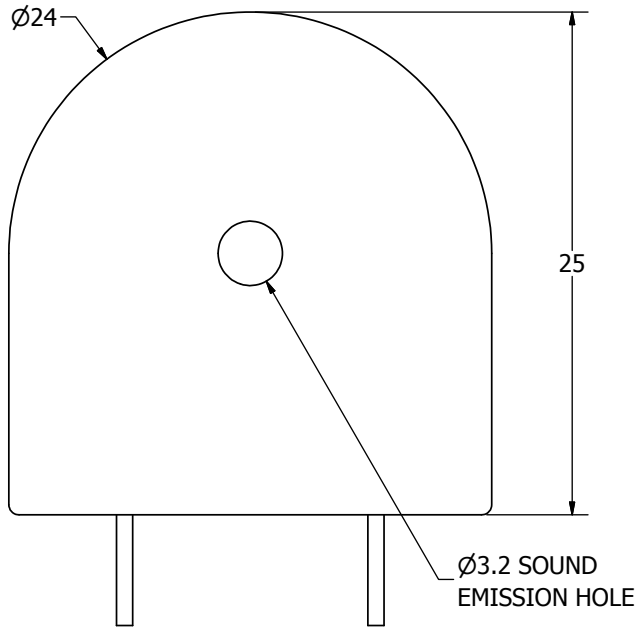
SPECIFICATIONS

PARAMETERS	VALUES	UNIT
RATED VOLTAGE	10	Vp-p
OPERATING VOLTAGE RANGE	5 ~ 24	Vp-p
RATED CURRENT (MAX)	10	mA
CAPACITANCE	25,000 ± 30%	pF
MINIMUM SPL @ 10 CM	90	dB
RESONANT FREQUENCY	3,200 ± 500	Hz
OPERATING TEMPERATURE	-30 ~ +115	°C
STORAGE TEMPERATURE	-40 ~ +125	°C
HOUSING MATERIAL	MPPO	-
TERMINAL MATERIAL	Sn PLATED COPPER	-
WEIGHT	3.7	grams

THIS DOCUMENT CONTAINS DATA PROPRIETARY TO PROJECTS UNLIMITED, INC. ANY USE OR REPRODUCTION, IN ANY FORM, WITHOUT PRIOR WRITTEN PERMISSION OF PROJECTS UNLIMITED, INC. IS PROHIBITED.
©2003, Projects Unlimited Inc.

REVISION HISTORY

LTR	DESCRIPTION	DATE	APPROVED
-	RELEASED FROM ENGINEERING	8/17/2005	
A	REVISED TO INVENTOR 3-D DRAWING TEMPLATE	10/02/2008	B.R.



NOTES:

1. ALL DIMENSIONS ARE IN MILLIMETERS.
2. SPECIFICATIONS SUBJECT TO CHANGE OR WITHDRAWAL WITHOUT NOTICE.
3. THIS PART IS RoHS 2002/95/EC COMPLIANT.

UNLESS OTHERWISE SPECIFIED: DIMENSIONS ARE IN MILLIMETERS, TOLERANCES ARE ±0.5 AND ANGLES ARE ±3°.	SIZE A3	Designed by	Date	Checked by	Date	Approved by	Date	Drawn Date	
		J.A.F.	8/17/2005	B.R.	8/17/2005	E.P.	8/17/2005	10/2/2008	
AT-2532-ST-R.idw						AT-2532-ST-R		Edition	Sheet
								Transducer (Piezo)	