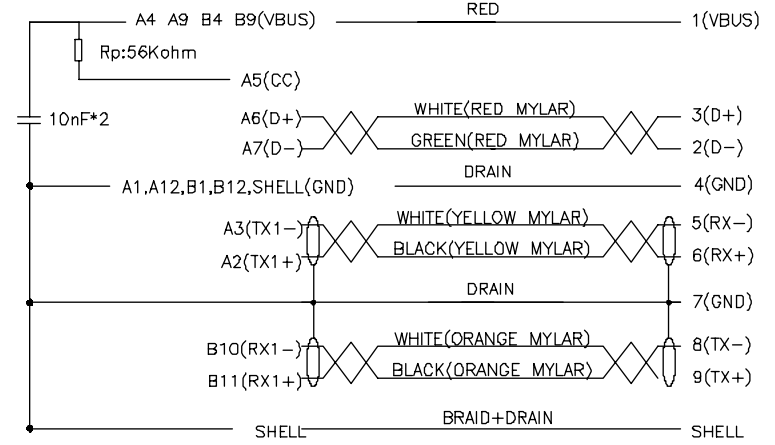


TABLE 1

MATERIALS LIST:

- CABLE:USB 3.1 C TO A$(7/0.115TA*1PR+EAM)*2+(7/0.08TA*1PR+AM)+7/0.2TA*1C+T2EB 85%$ USB 3.1 OD:5.0mm JACKET PVC COLOR:BLACK
- CONNECTOR:USB3.1 TYPE C/M PIN 30U" Rp:56Kohm INSULATOR BLACK,NICKEL PLATED SHELL,
- CONNECTOR:USB 3.1 A/M INSULATOR BLUE NICKEL PLATED SHELL PIN G/F.
- PVC MOLDED:V398 45P BLACK



ELECTRONIC TEST:

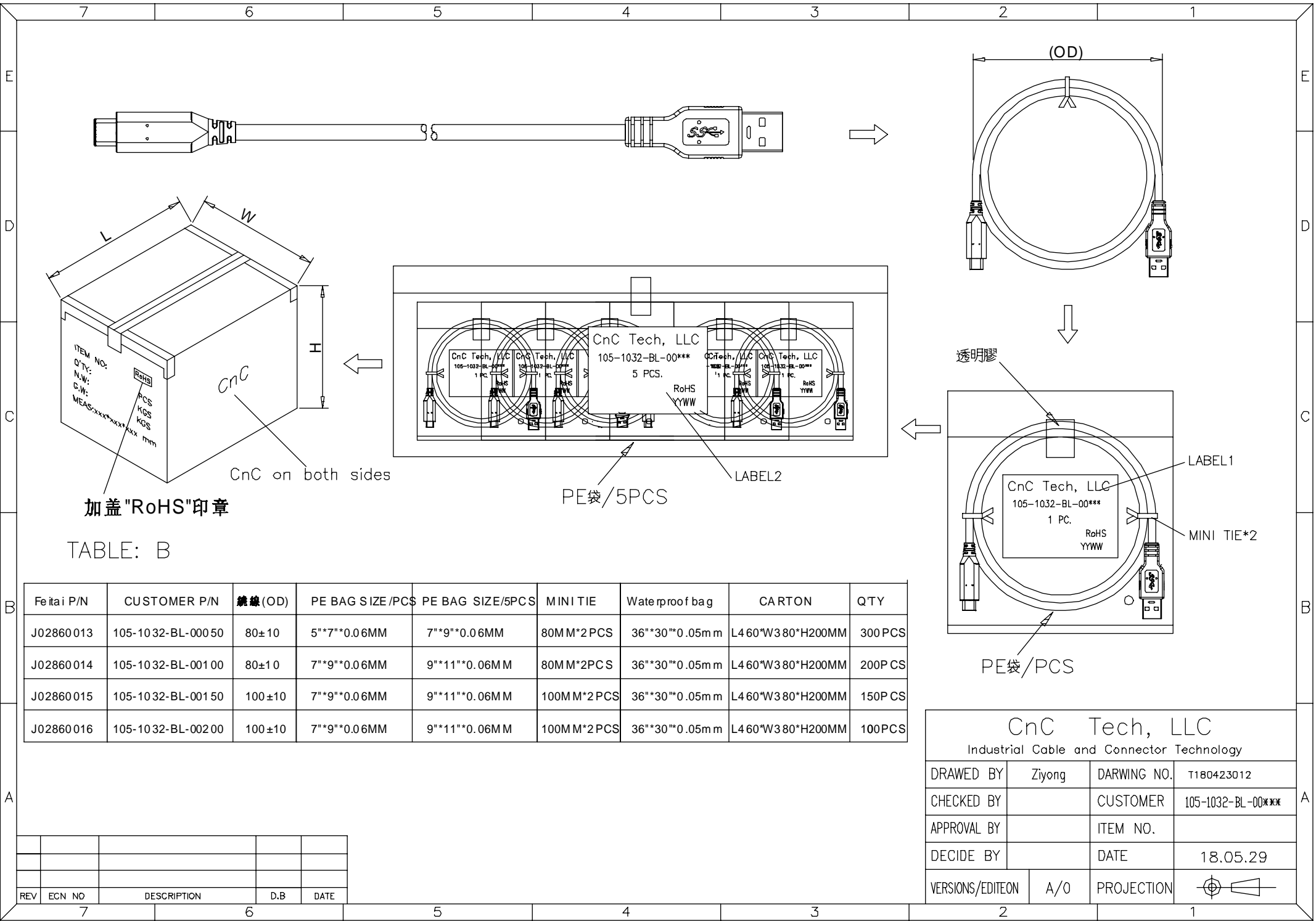
- OPEN/SHORT/INTERMITTENCE: 100%.
- HI-POT: 50V AC/0.01sec 50V DC/0.01sec
- INSULATION RESISTANCE: 20M OHM (MIN)
- CONDUCTIVE RESISTANCE: 2 OHM (MAX)
- CAPACITIANCE DETECTION: 10nF±20% BETWEEN A1 AND A4
- RESISTANCE DETECTION: Rp=56Kohm±5% BETWEEN A4 AND A5

REMARK:

- ALL MATERIALS TO MEET RoHS
- CHECK IMPORTANT SIZE:Y1&Y3

CnC Tech, LLC			
Industrial Cable and Connector Technology			
DRAWN BY	Ziyong	DARWING NO.	T180423012
CHECKED BY		CUSTOMER	105-1032-BL-00***
APPROVAL BY		ITEM NO.	
DECIDE BY		DATE	18.05.29
VERSIONS/EDITEON	A/0	PROJECTION	

REV	ECN NO	DESCRIPTION	D.B	DATE



加盖"RoHS"印章

CnC on both sides

PE袋/5PCS

透明膠

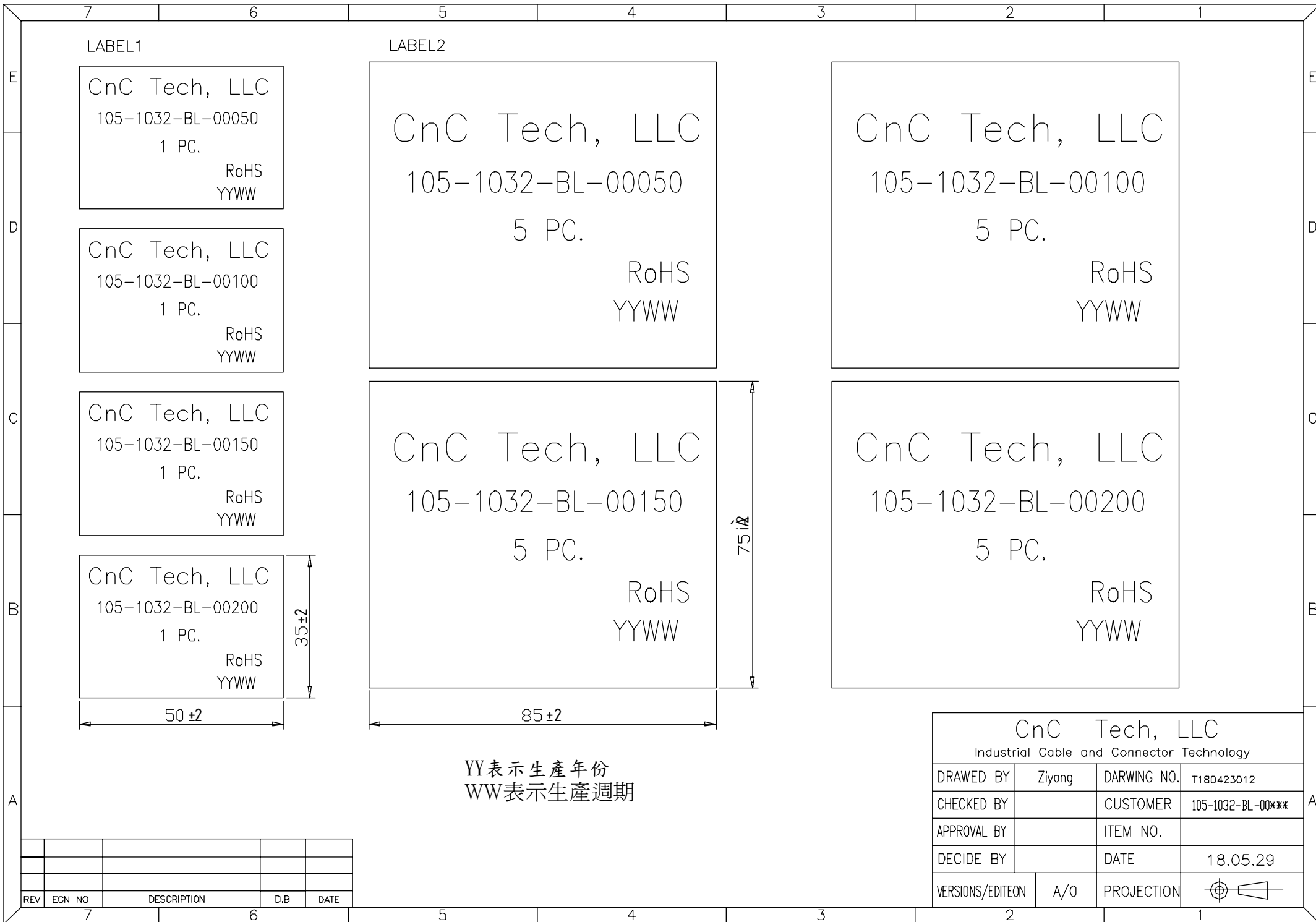
PE袋/PCS

TABLE: B

Feita i P/N	CUSTOMER P/N	纜線(OD)	PE BAG SIZE/PCS	PE BAG SIZE/5PCS	MINI TIE	Waterproof bag	CARTON	QTY
J02860013	105-1032-BL-00050	80±10	5"*7"*0.06MM	7"*9"*0.06MM	80MM*2PCS	36"*30"*0.05m	L460*W380*H200MM	300PCS
J02860014	105-1032-BL-00100	80±10	7"*9"*0.06MM	9"*11"*0.06MM	80MM*2PCS	36"*30"*0.05m	L460*W380*H200MM	200PCS
J02860015	105-1032-BL-00150	100±10	7"*9"*0.06MM	9"*11"*0.06MM	100MM*2PCS	36"*30"*0.05m	L460*W380*H200MM	150PCS
J02860016	105-1032-BL-00200	100±10	7"*9"*0.06MM	9"*11"*0.06MM	100MM*2PCS	36"*30"*0.05m	L460*W380*H200MM	100PCS

CnC Tech, LLC			
Industrial Cable and Connector Technology			
DRAWN BY	Ziyong	DARWING NO.	T180423012
CHECKED BY		CUSTOMER	105-1032-BL-00***
APPROVAL BY		ITEM NO.	
DECIDE BY		DATE	18.05.29
VERSIONS/EDITEON	A/0	PROJECTION	

REV	ECN NO	DESCRIPTION	D.B	DATE



LABEL1

CnC Tech, LLC
105-1032-BL-00050
1 PC.
RoHS
YYWW

LABEL2

CnC Tech, LLC
105-1032-BL-00050
5 PC.

CnC Tech, LLC
105-1032-BL-00100
5 PC.

CnC Tech, LLC
105-1032-BL-00100
1 PC.
RoHS
YYWW

RoHS
YYWW

RoHS
YYWW

CnC Tech, LLC
105-1032-BL-00150
1 PC.
RoHS
YYWW

CnC Tech, LLC
105-1032-BL-00150
5 PC.

CnC Tech, LLC
105-1032-BL-00200
5 PC.

CnC Tech, LLC
105-1032-BL-00200
1 PC.
RoHS
YYWW

RoHS
YYWW

RoHS
YYWW

YY表示生產年份
WW表示生產週期

CnC Tech, LLC Industrial Cable and Connector Technology			
DRAWN BY	Ziyong	DARWING NO.	T180423012
CHECKED BY		CUSTOMER	105-1032-BL-00***
APPROVAL BY		ITEM NO.	
DECIDE BY		DATE	18.05.29
VERSIONS/EDITEON	A/0	PROJECTION	

REV	ECN NO	DESCRIPTION	D.B	DATE