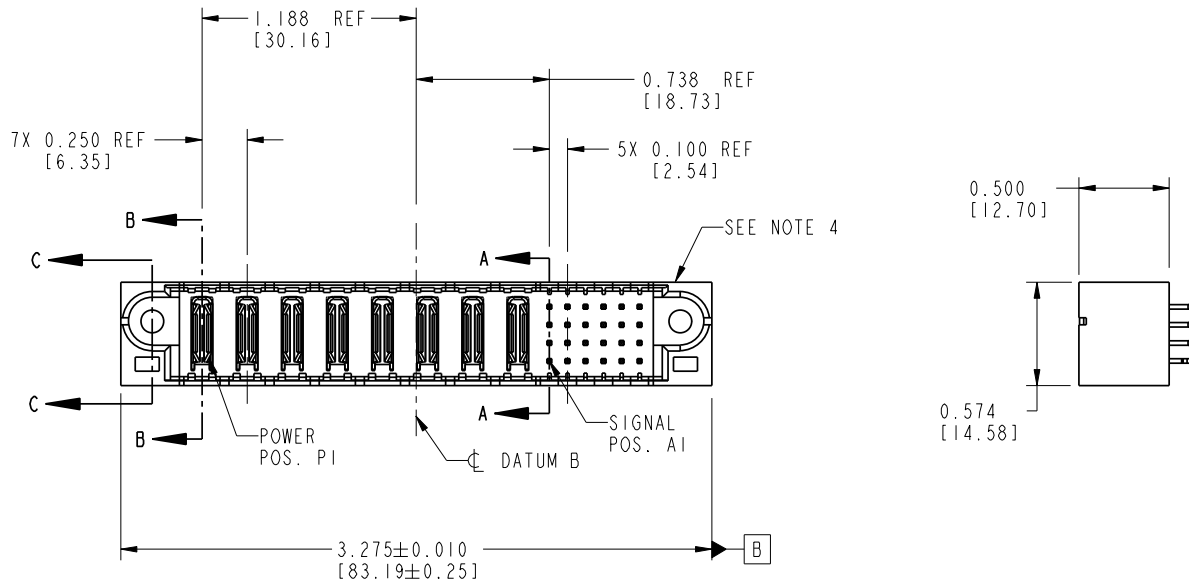


Tous droits strictement réservés. Reproduction ou communication à des tiers interdite sous quelque forme que ce soit sans autorisation écrite du propriétaire. Propriété de c FCI. Droits de reproduction FCI.



All rights strictly reserved. Reproduction or issue to third parties in any form whatsoever is not permitted without written authority from the proprietor. Property of FCI. Copyright FCI.

PRODUCT NO.	ROWS	POWER								SIGNAL							
		E1	P1	P2	P3	P4	P5	P6	P7	P8	1	2	3	4	5	6	E2
51952-031-- NOTE 3	0 UBA																



CODE	DIM "M" MATING LENGTH	CONTACT TYPE
PA	N/A [N/A]	POWER
E	0.270 [6.86]	SIGNAL
HA	N/A [N/A]	HOLD-DOWN
H	0.220 [5.59]	SIGNAL

mat'l code				SEE NOTE 2		tolerances unless otherwise specified		CUSTOMER		 www.fciconnect.com	
lir	ecn no.	dr	date	linear	.XX±.01/0.X±0.3	COPY		projection		title	
A	V03-0950	MEM	8/25/03		.XXX±.005/0.XX±0.13	INCH/MM				8P + 24S	
B	DG05-0502	Ryon	11/24/05	angles	.XXX±.002/0.XXX±0.051	scale		1:1		VERTICAL SOLDER HEADER	
				dr	M. MOSTOLLER 8/25/03	product family		PwrBlade		code	
				engr	M. MOSTOLLER 8/25/03	size		A		213	
				chr	H. BREWBAKER 8/25/03	dwg no		51952-031		sheet	
				appd	M. MOSTOLLER 8/25/03	code		22526		1 of 4	
sheet index	revision	B	B	B	B						
	sheet	1	2	3	4						

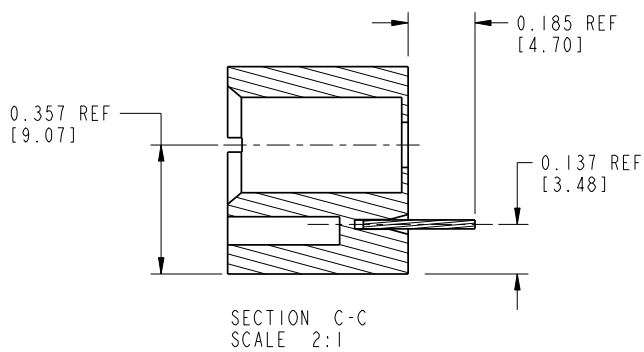
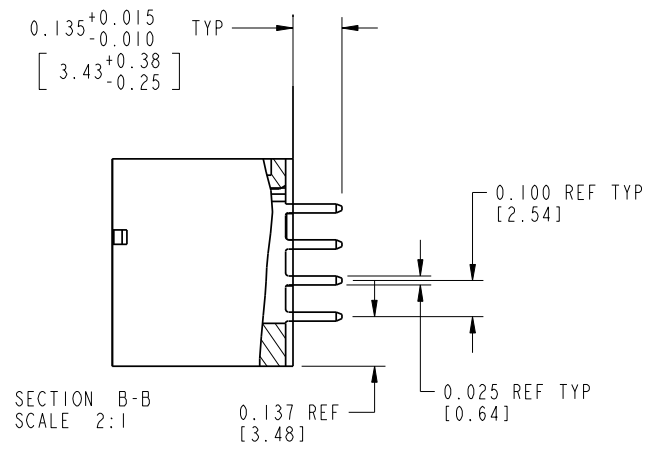
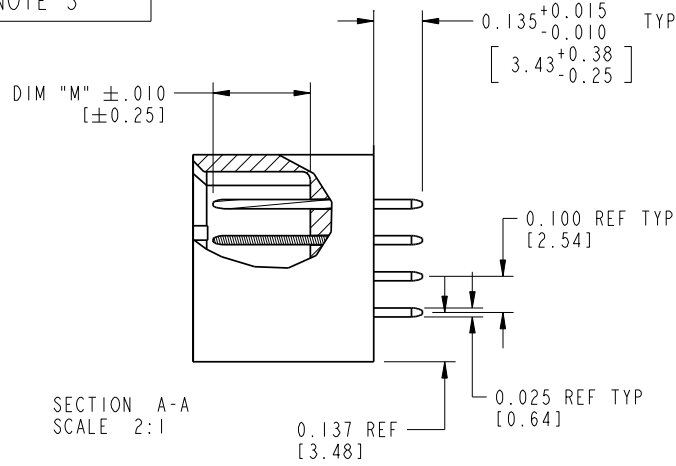
Pro/E

cage code 22526

Tous droits strictement reserves. Reproduction ou communication a des tiers interdite sous quelque forme que ce soit sans autorisation écrite du propriétaire. Propriete de c FCI. Droits de reproduction FCI.

All rights strictly reserved. Reproduction or issue to third parties in any form without is not permitted without written authority from the proprietor. Property of FCI. Copyright FCI.

PRODUCT NUMBER  
51952-031\_\_  
NOTE 3



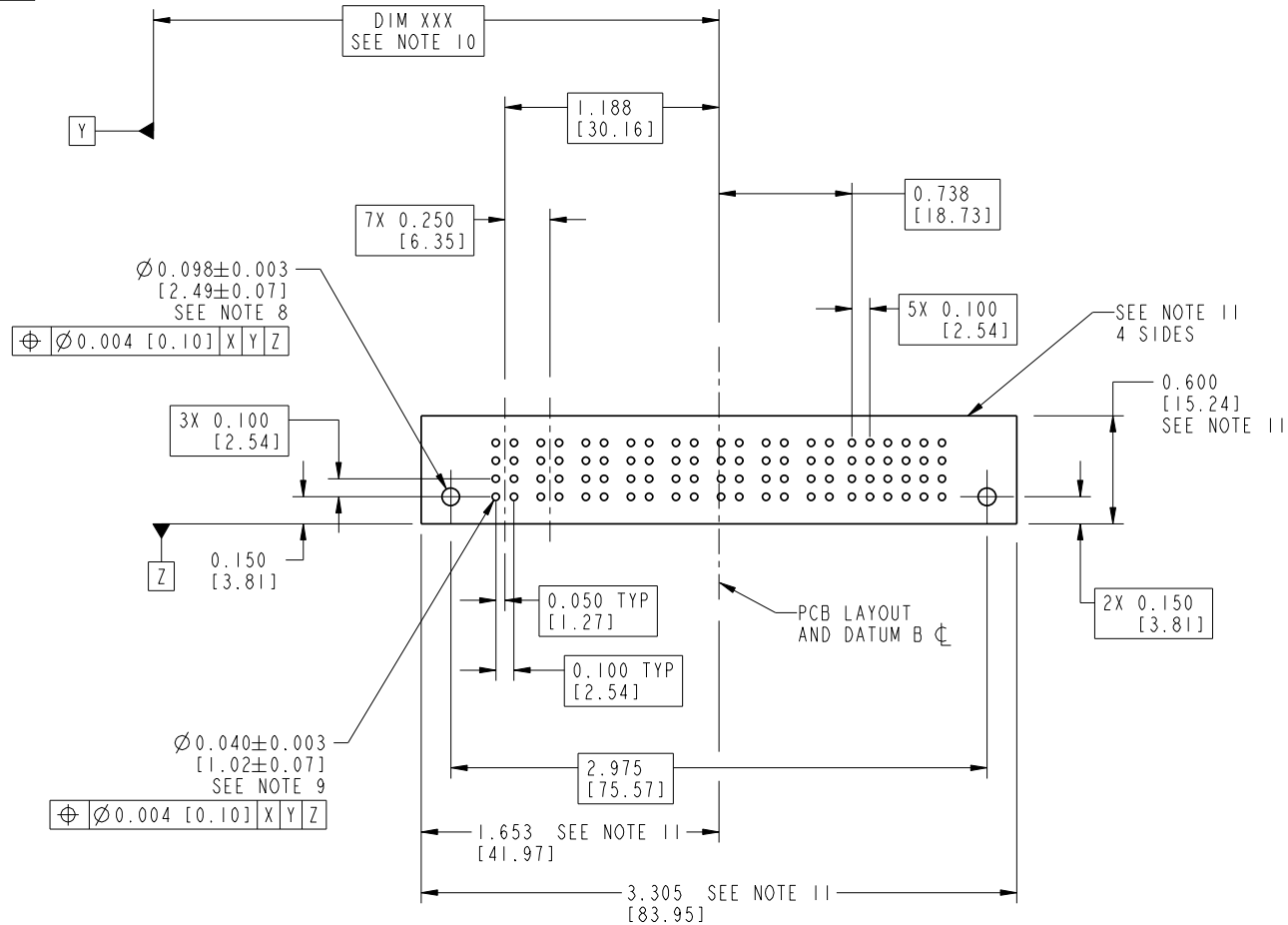
mat'l code SEE NOTE 2				tolerances unless otherwise specified		CUSTOMER		 www.fciconnect.com	
lfr	ecn no.	dr	date	linear	.XX±.01/0.X±0.3	COPY			
B				angles	.XXX±.005/0.XX±0.13	INCH/MM		title	
				dr	.XXX±.002/0.XXX±0.051	1:1		8P + 24S	
				engr	0° ± 2°	scale		VERTICAL SOLDER HEADER	
				chr	M. MOSTOLLER 8/25/03	product family		PwrBlade	
				appd	M. MOSTOLLER 8/25/03	size		code	
sheet index		revision sheet				A		213	
						51952-031		sheet	
								2 of 4	

cage code 22526

Tous droits strictement reserves. Reproduction ou communication a des tiers interdite sans queque forme que ce soit sans autorisation ecrite du proprietaire. Propriete de c FCI. Droits de reproduction FCI.

All rights strictly reserved. Reproduction or issue to third parties in any form whatever is not permitted without written authority from the proprietor. Property of FCI. Copyright FCI.

PRODUCT NUMBER  
51952-031\_\_  
NOTE 3



mat'l code SEE NOTE 2				tolerances unless otherwise specified		CUSTOMER		<b>FCI</b> www.fciconnect.com	
lir	ecr no.	dr	date	linear	.XX±.01/0.X±0.3	COPY		title 8P + 24S	
B					.XXX±.005/0.XX±0.13	projection		VERTICAL SOLDER HEADER	
				angles	.XXX±.002/0.XXX±0.051	INCH/MM		product family PwrBlade code 213	
				dr	M. MOSTOLLER 8/25/03	scale 1:1		size dwg no 51952-031	
				enrg	M. MOSTOLLER 8/25/03			sheet 3 of 4	
				chr	H. BREWBAKER 8/25/03				
				appd	M. MOSTOLLER 8/25/03				
sheet index	revision sheet								

cage code 22526

Tous droits strictement reserves. Reproduction ou communication a des tiers interdite sous quelque forme que ce soit sans autorisation écrite du propriétaire. Propriete de c FCI. Droits de reproduction FCI.

**A**  
**FCI**

All rights strictly reserved. Reproduction or issue to third parties in any form without is not permitted without written authority from the proprietor. Property of FCI. Copyright FCI.

**B**

1 | 2

3 |

4

<b>PRODUCT NUMBER</b>
51952-031__ NOTE 3

**NOTES:**

1. DIMENSIONS AND TOLERANCES ARE IN ACCORDANCE WITH ASME Y14.5M, 1994 UNLESS OTHERWISE SPECIFIED.

**CONNECTOR NOTES:**

② HOUSING MATERIAL: UL 94 V-0 GLASS FILLED HIGH-TEMP THERMOPLASTIC

POWER CONTACT MATERIAL: COPPER ALLOY  
SIGNAL PIN MATERIAL: COPPER ALLOY

3. PLATING:

51952-031: SIGNAL PIN: 30u"/0.76um Au OVER 50u"/1.27um Ni ON THE CONTACT AREA  
AND 100u"/2.54um SnPb OVER 50u"/1.27um Ni ON THE TERMINATION AREA  
POWER PIN: 30u"/0.76um Au OVER 50u"/1.27um Ni ON THE CONTACT AREA  
AND 100u"/2.54um SnPb OVER 50u"/1.27um Ni ON THE TERMINATION AREA

51952-031LF: SIGNAL PIN: 30u"/0.76um Au OVER 50u"/1.27um Ni ON THE CONTACT AREA  
AND 78u"/2.00um Sn OVER 50u"/1.27um Ni ON THE TERMINATION AREA  
POWER PIN: 30u"/0.76um Au OVER 50u"/1.27um Ni ON THE CONTACT AREA  
AND 78u"/2.00um Sn OVER 50u"/1.27um Ni ON THE TERMINATION AREA

PART NUMBER 51952-031LF MEETS EUROPEAN UNION DIRECTIVE AND OTHER COUNTRY REGULATIONS AS DESCRIBED IN GS-22-008.

THE HOUSING WILL WITHSTAND EXPOSURE TO 260° PEAK TEMPERATURE FOR 10 SECONDS IN A WAVE SOLDER APPLICATION WITH A CIRCUIT BOARD.

④ MANUFACTURER'S NAME, P/N, AND DATE CODE TO APPEAR ON THIS SURFACE.

5. PRODUCT SPECIFICATION GS-12-149.  
APPLICATION SPECIFICATION BUS-20-067.

6. PACKAGED IN TRAYS.

**PCB NOTES:**

7. ALL HOLE DIAMETERS ARE FINISHED HOLE SIZE.

8. MOUNTING HOLES, WHERE APPLICABLE, ARE UNPLATED.

⑨  $\varnothing .0453 \pm .0010$  [1.151 ± 0.025] DRILLED HOLES PLATED WITH

.0003 [0.008] MIN SnPb OVER .001 [0.03]  
TO .003 [0.08] Cu PLATING TO ACHIEVE  
 $\varnothing .040 \pm .003$  [1.02 ± .07] HOLE.

⑩ "DIM XXX" TO BE DETERMINED BY THE CUSTOMER.

⑪ CONNECTOR KEEP-OUT ZONE.

mat'l code				SEE NOTE 2	tolerances unless otherwise specified		CUSTOMER		<b>A</b> <b>FCI</b>	www.fciconnect.com
lfr	ecr no.	dr	date	linear	.XX±.01/0.X±0.3	COPY		projection		
B				angles	.XXX±.005/0.XX±0.13	INCH/MM			product family	8P + 24S
				dr	.XXX±.002/0.XXX±0.051	scale		size		
				enrg	0° ± 2°	1:1			A	PwrBlade
				chr	M. MOSTOLLER 8/25/03			dwg no		
				appd	M. MOSTOLLER 8/25/03				51952-031	213
sheet index	revision sheet							4 of 4		

1 | 2

Pro/E

3 |

cage code 22526

4