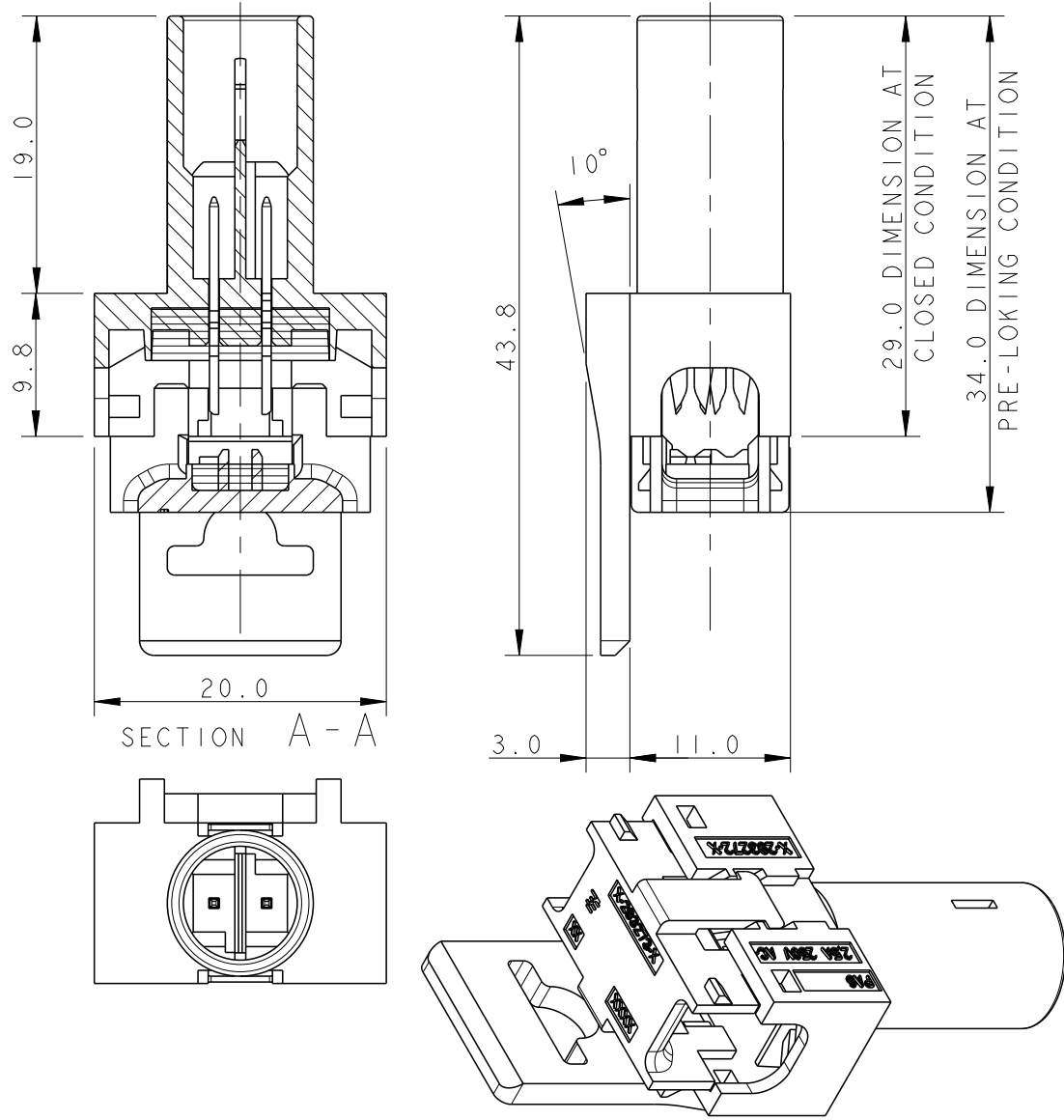
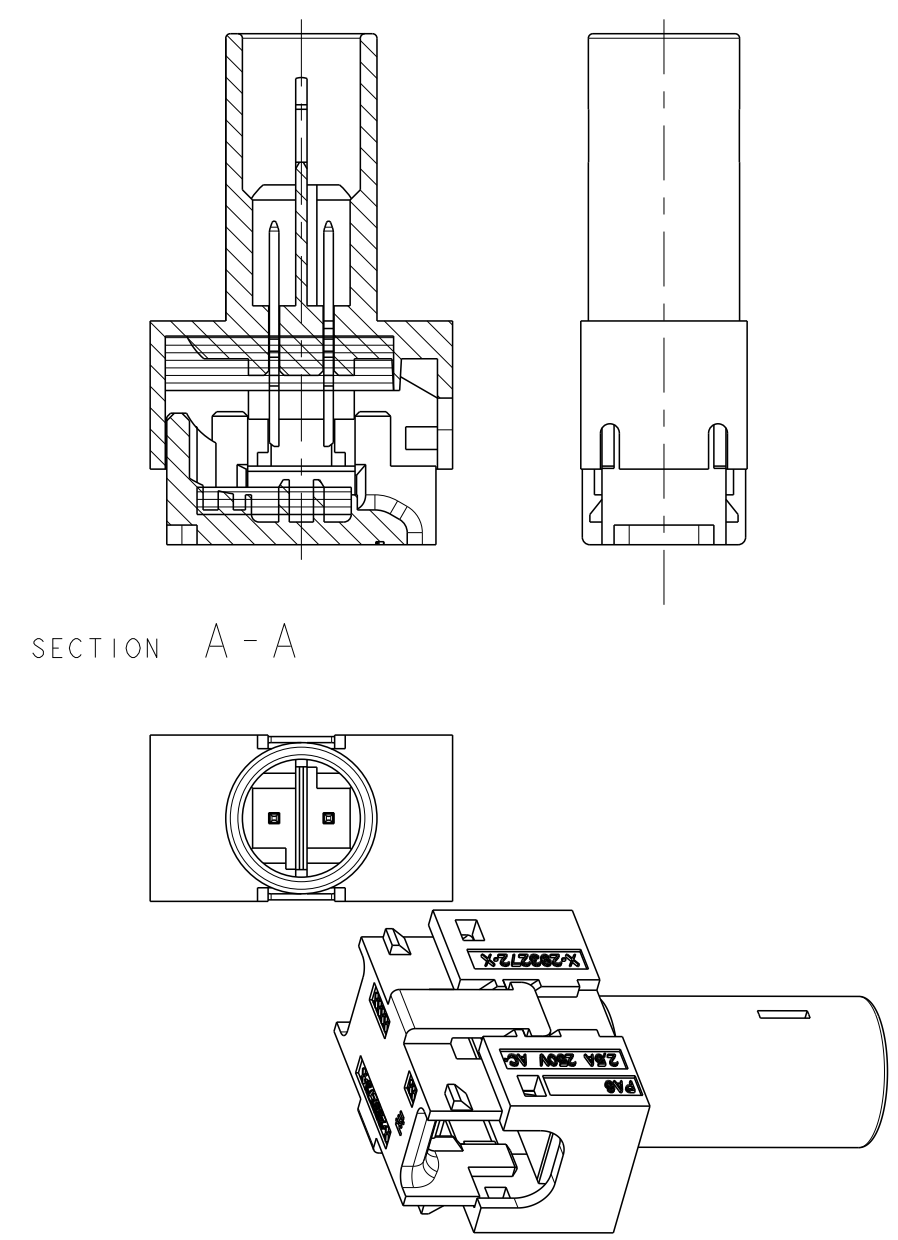
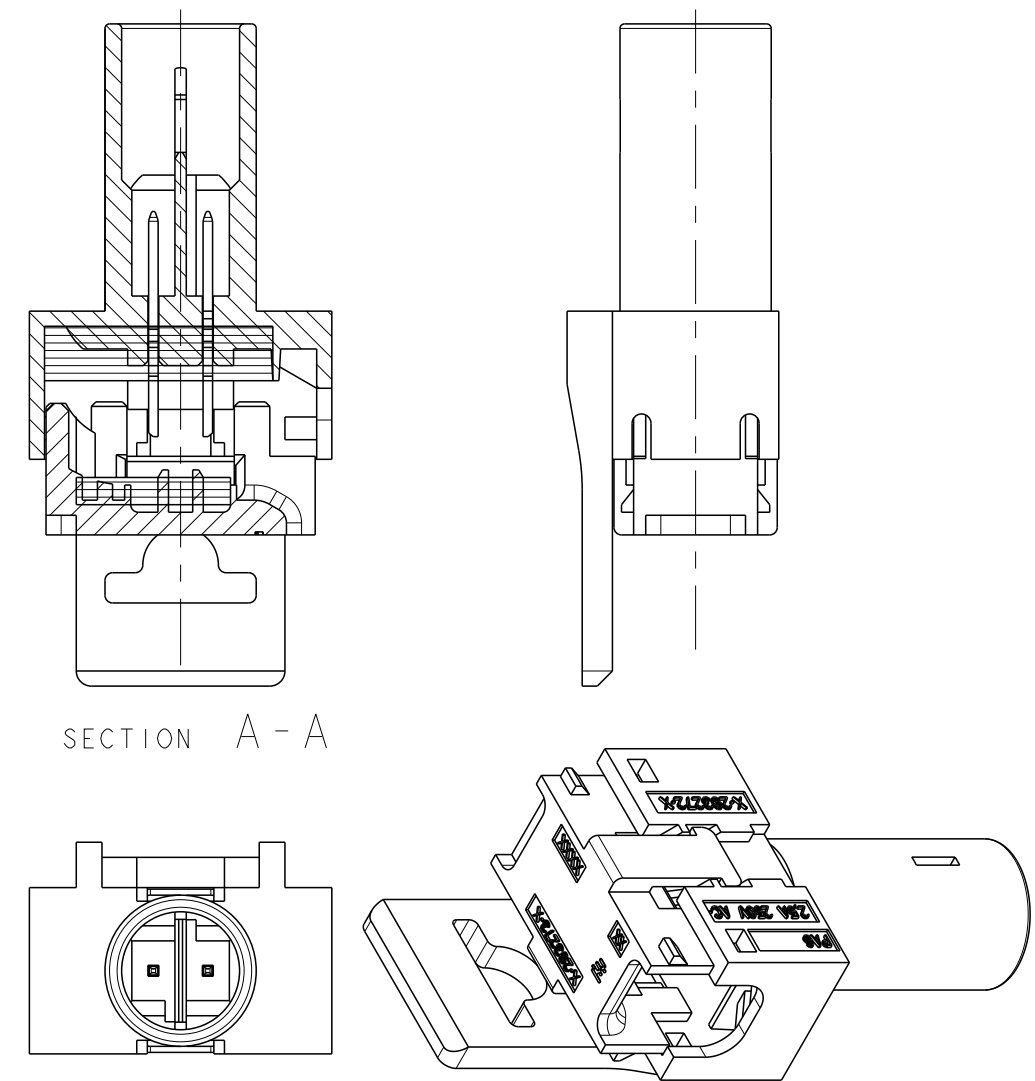


THIS DRAWING IS UNPUBLISHED. RELEASED FOR PUBLICATION 20
 © COPYRIGHT 20 BY - ALL RIGHTS RESERVED.

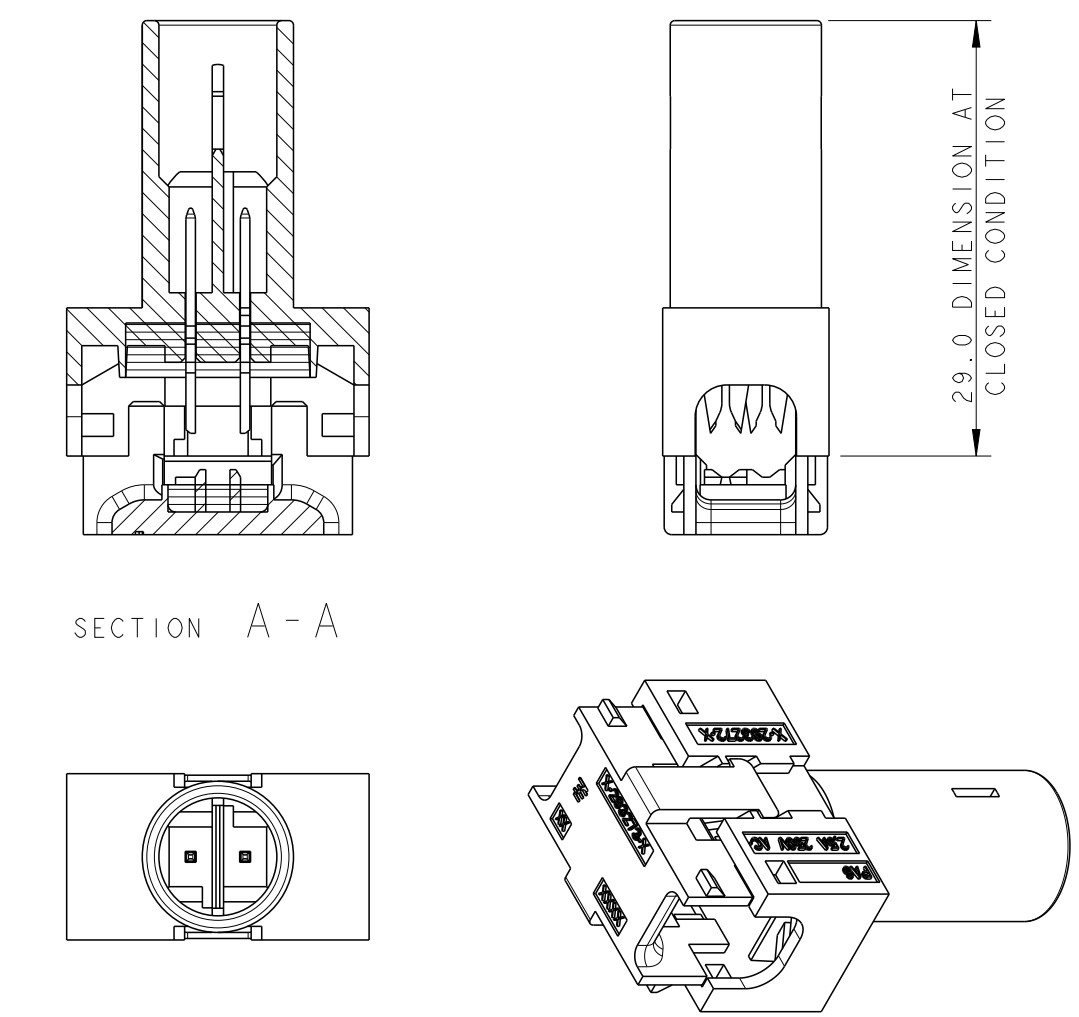
P/N 0-293270-1 AS SHOWN
 POLARIZATION KEY HV-1



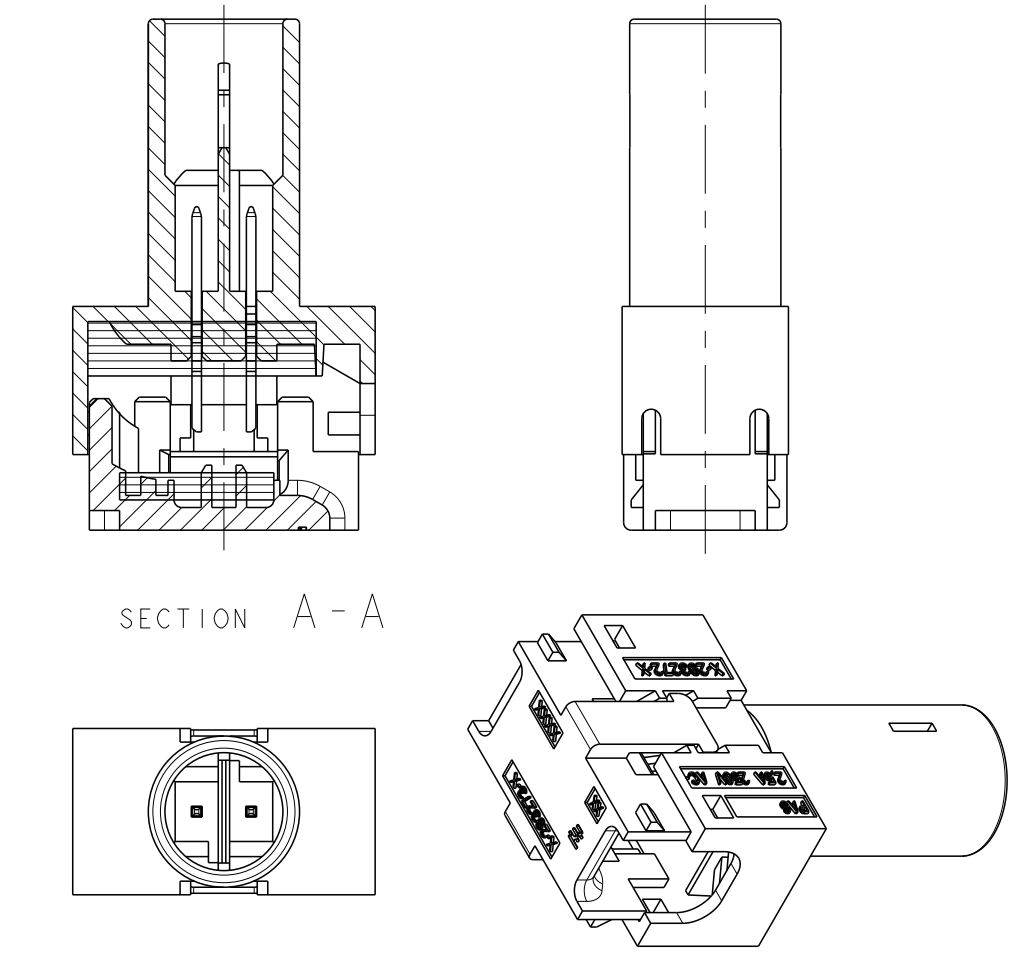
P/N 0-293270-2 AS SHOWN
 POLARIZATION KEY HV-1



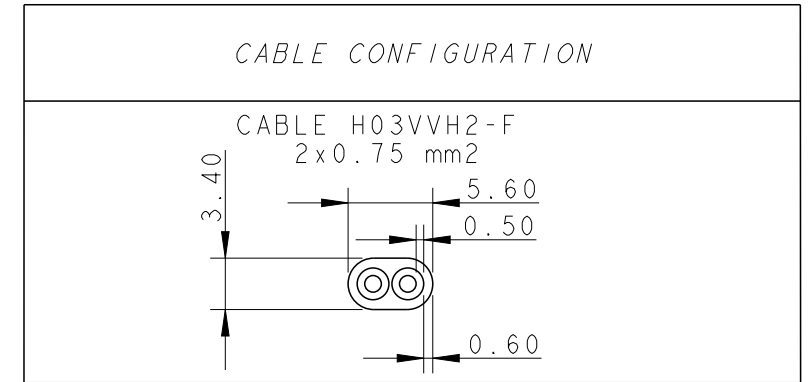
P/N 0-293270-3 AS SHOWN
 POLARIZATION KEY HV-1



P/N 0-293270-4 AS SHOWN
 POLARIZATION KEY HV-1



REVISIONS				
P	LTR	DESCRIPTION	DATE	APVD
R		IMPROVED LOCKING RETENTION TEETH	20MAY2011	AV GT
S		REMOVED CABLE H05VVH2-F	22AUG2012	MZ JC
T		REVISED PER ECR-14-006605	21MAY2014	RS DD
V		ECR-14-018570	15DEC2014	KR JC



NOTES:
 CONTACTS BRASS PRE TINNED
 HOUSINGS POLYAMMIDE UL94 V0

PART NUMBER	DESCRIPTION	POL. KEY	COLOR
293270-9	END CONNECTOR WITHOUT FLANGE	HV-1	BLACK
293270-8	END CONNECTOR WITHOUT FLANGE	LV-2	YELLOW
293270-7	CONNECTOR WITHOUT FLANGE	LV-2	YELLOW
293270-6	END CONNECTOR WITH FLANGE	LV-2	YELLOW
293270-5	CONNECTOR WITH FLANGE	LV-2	YELLOW
293270-4	END CONNECTOR WITHOUT FLANGE	HV-1	WHITE
293270-3	CONNECTOR WITHOUT FLANGE	HV-1	WHITE
293270-2	END CONNECTOR WITH FLANGE	HV-1	WHITE
293270-1	CONNECTOR WITH FLANGE	HV-1	WHITE

MISSING DIMENSION SEE P/N 0-...-1

THIS DRAWING IS A CONTROLLED DOCUMENT.		DWN 18JAN2007 A. Vecchia	TE Connectivity
DIMENSIONS: mm		CHK 18JAN2007 G. Turco	
TOLERANCES UNLESS OTHERWISE SPECIFIED:		APVD 24MAY2007 G. Turco	NAME BUS BAR 2 POSITION SEALED
0 PLC ±		PRODUCT SPEC 108-94018	SIZE CAGE CODE DRAWING NO RESTRICTED TO
1 PLC ±0.3		APPLICATION SPEC 114-20131	A200779 C-293270
2 PLC ±0.05		WEIGHT -	SCALE 2:1 SHEET 1 OF 2 REV V
3 PLC ±		MATERIAL FINISH -	
4 PLC ±			
ANGLES ±			
Customer Drawing			

4

3

2

1

THIS DRAWING IS UNPUBLISHED. RELEASED FOR PUBLICATION 20
 © COPYRIGHT 20 BY - ALL RIGHTS RESERVED.

REVISIONS				
P	LTR	DESCRIPTION	DATE	APVD
-		SEE SHEET 1	-	-

P/N 0-293270-5 AS SHOWN
 POLARIZATION KEY LV-2

P/N 0-293270-6 AS SHOWN
 POLARIZATION KEY LV-2

SECTION A - A

SECTION A - A

P/N 0-293270-7 AS SHOWN
 POLARIZATION KEY LV-2

P/N 0-293270-8 AS SHOWN
 POLARIZATION KEY LV-2

SECTION A - A

SECTION A - A

THIS DRAWING IS A CONTROLLED DOCUMENT.

DIMENSIONS:
mm

TOLERANCES UNLESS OTHERWISE SPECIFIED:
 0 PLC ±
 1 PLC ±0.3
 2 PLC ±0.05
 3 PLC ±
 4 PLC ±
 ANGLES ±
 FINISH

DWN 18JAN2007
 A Vecchia
 CHK 18JAN2007
 G Turco
 APVD 24MAY2007
 G Turco
 PRODUCT SPEC
 108-94018
 APPLICATION SPEC
 114-20131
 WEIGHT -
 Customer Drawing

STE TE Connectivity
 NAME BUS BAR 2 POSITION SEALED
 SIZE CAGE CODE DRAWING NO RESTRICTED TO
 A20779 C-293270 -

SCALE 5:1 SHEET 2 OF 2 REV V

1471-9 (3/13)