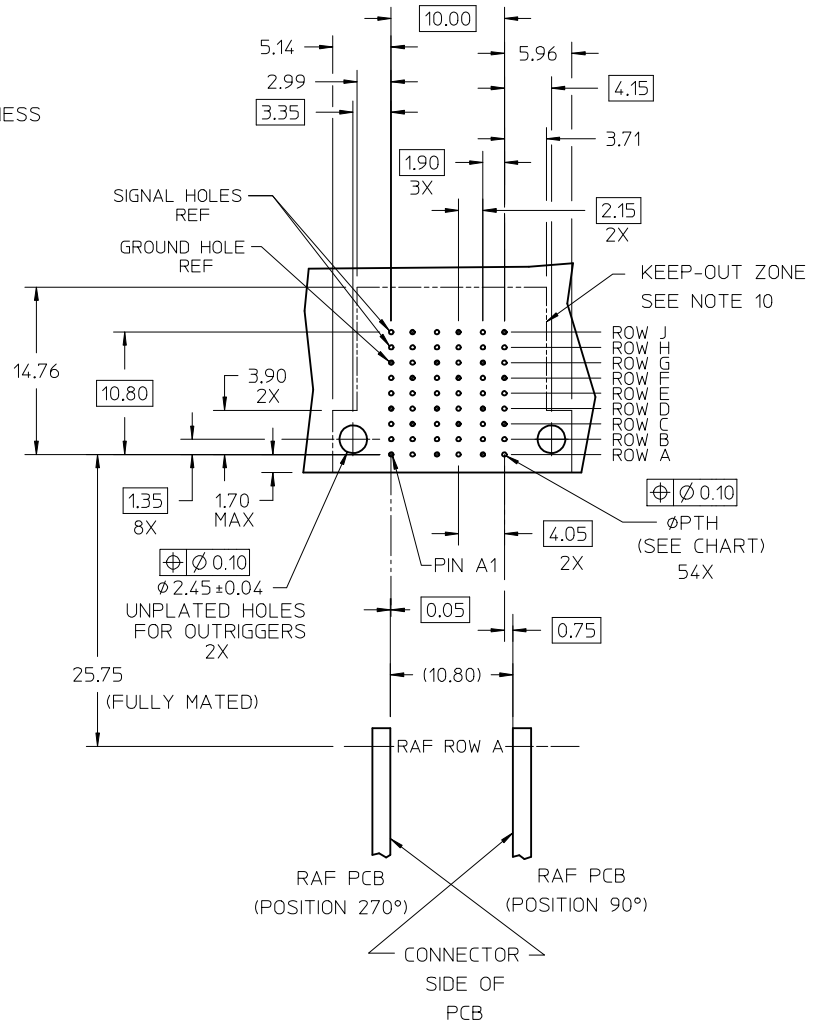
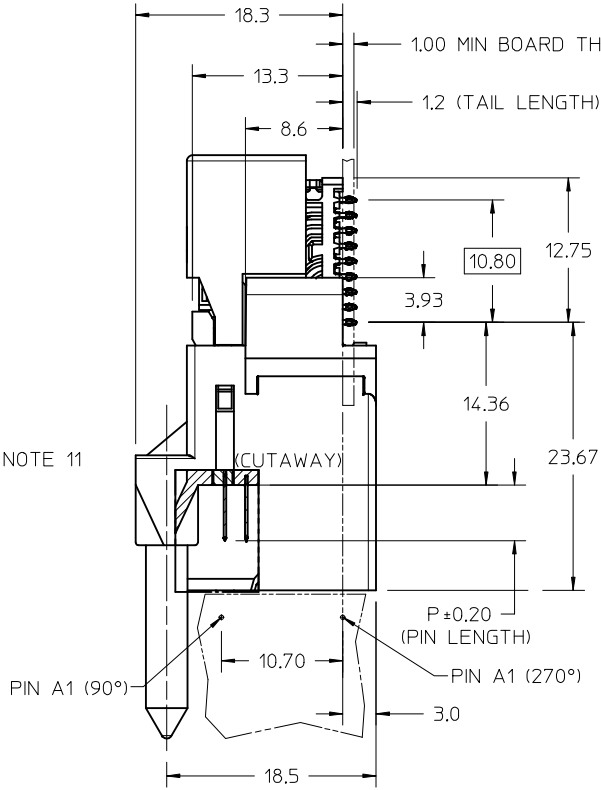
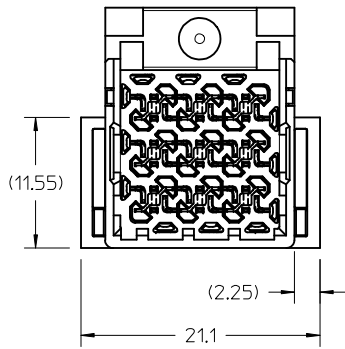


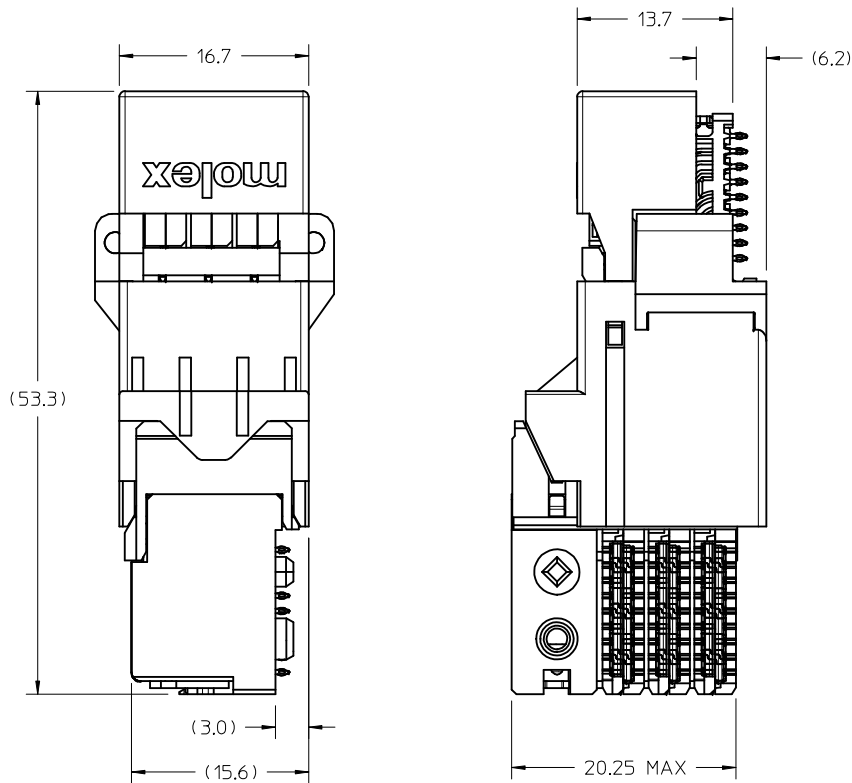
SEE NOTE 11



OD-RAM HOLE PATTERN
(CONNECTOR SIDE)



2ND GATE AND OUTRIGGERS EC NO: UCP2015-5544 DRAWN BY: MILLER 2016/10/07 CHKD: TELO APPR: TELO 2016/10/10	QUALITY SYMBOLS ▽=0 ▽=0	GENERAL TOLERANCES (UNLESS SPECIFIED)		DIMENSION STYLE MM ONLY	SCALE 3:1	DESIGN UNITS METRIC	THIRD ANGLE PROJECTION	
		4 PLACES ± --- ± ---	mm INCH	DRAWN BY JMENDOZA	DATE 2012/12/14	TITLE IMPACT ORTHOGONAL DIRECT 3 PAIR RAM 90 & 270 ASSY TOP GUIDED SALES DRAWING		
		3 PLACES ± --- ± ---		CHECKED BY TELO	DATE 2012/12/14	MOLEX INCORPORATED		
		2 PLACES ± 0.13 ± ---		APPROVED BY TELO	DATE 2013/12/26	MATERIAL NO. SEE CHART	DOCUMENT NO. SD-171573-0002	SHEET NO. 1 OF 4
		1 PLACE ± 0.25 ± ---		ANGULAR ± 1/2°		THIS DRAWING CONTAINS INFORMATION THAT IS PROPRIETARY TO MOLEX INCORPORATED AND SHOULD NOT BE USED WITHOUT WRITTEN PERMISSION		
DRAFT WHERE APPLICABLE MUST REMAIN WITHIN DIMENSIONS								



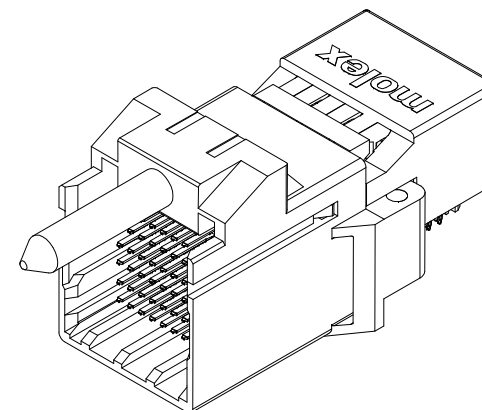
171573-76**

MODULE TYPE
7 = TOP GUIDED, TIN

OF COLUMNS
6 = 6 COLUMN

PIN LENGTH (P)
4 = 4.90 (0.46 PTH)
5 = 5.50 (0.46 PTH)
7 = 4.90 (0.39 PTH)
8 = 5.50 (0.39 PTH)

MATE POSITION
0 = 90 DEGREE
3 = 270 DEGREE



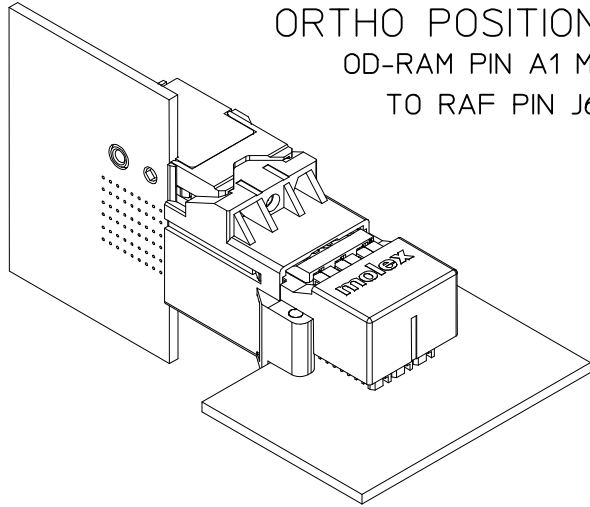
MATED DIMENSIONS
(POSITION 90° SHOWN)

NOTES:

- MATERIALS: HOUSING - LIQUID CRYSTAL POLYMER (LCP)
GLASS-FILLED, UL94V-0
TERMINALS - HIGH PERFORMANCE COPPER ALLOY
- FINISH: 30μ MIN GOLD IN CONTACT AREA.
SELECTIVE TIN ON PCB TAILS.
NICKEL OVERALL.
- REFER TO MOLEX PRODUCT SPECIFICATION PS-76060-999
FOR PERFORMANCE SPECIFICATIONS AND ADDITIONAL PCB INFORMATION.
- THIS PART CONFORMS TO CLASS B REQUIREMENTS OF
COSMETIC SPEC PS-45499-002.
- PACKAGE PER: PK-70873-8018.
- SEE SHEETS 3 FOR ORTHOGONAL PIN MAPPING.
- REFER TO SHEET 3 AND 4 FOR THE MATING RECEPTACLES.
- REFER TO MOLEX ROUTING GUIDE AS-76850-990 FOR ADDITIONAL PCB LAYOUT
AND ROUTING RECOMMENDATIONS.
- CONNECTORS ARE SUPPLIED WITH TWO 2-32 THREAD FORMING SCREWS.
- THESE DIMENSIONS REPRESENT THE AREA NEEDED TO ACCOMODATE CONNECTOR
INSERTION AND REPAIR ON THE PC BOARD. THIS IS REFERRED TO AS THE
"CONNECTOR KEEP OUT ZONE" AND DOES NOT REPRESENT THE ACTUAL PERIMETER
OF THE CONNECTOR.
- MARKING: LOCATED APPROXIMATELY AS SHOWN, ON BOTTOM OR TOP HOUSING.
PART NUMBER AND DATE CODE.

SEE SHEET 1 EC NO: UCP2015-5544 DRW:BJMILLER 2016/10/07 CHKD: APPR:TELO 2016/10/10 REV:	QUALITY SYMBOLS	GENERAL TOLERANCES (UNLESS SPECIFIED)	DIMENSION STYLE MM ONLY	SCALE 3:1	DESIGN UNITS METRIC	THIRD ANGLE PROJECTION																																					
	$\nabla=0$ $\nabla=0$	<table border="1"> <thead> <tr> <th></th> <th>mm</th> <th>INCH</th> </tr> </thead> <tbody> <tr> <td>4 PLACES</td> <td>±---</td> <td>±---</td> </tr> <tr> <td>3 PLACES</td> <td>±---</td> <td>±---</td> </tr> <tr> <td>2 PLACES</td> <td>±0.13</td> <td>±---</td> </tr> <tr> <td>1 PLACE</td> <td>±0.25</td> <td>±---</td> </tr> <tr> <td colspan="3">ANGULAR ±1/2°</td> </tr> </tbody> </table>		mm	INCH	4 PLACES	±---	±---	3 PLACES	±---	±---	2 PLACES	±0.13	±---	1 PLACE	±0.25	±---	ANGULAR ±1/2°			<table border="1"> <thead> <tr> <th>DRAWN BY</th> <th>DATE</th> <th>TITLE</th> </tr> </thead> <tbody> <tr> <td>JMENDOZA</td> <td>2012/12/14</td> <td rowspan="3">IMPACT ORTHOGONAL DIRECT 3 PAIR RAM 90 & 270 ASSY TOP GUIDED SALES DRAWING</td> </tr> <tr> <th>CHECKED BY</th> <th>DATE</th> </tr> <tr> <td>TELO</td> <td>2012/12/14</td> </tr> <tr> <th>APPROVED BY</th> <th>DATE</th> <td rowspan="2"> MOLEX INCORPORATED </td> </tr> <tr> <td>TELO</td> <td>2013/12/26</td> </tr> </tbody> </table>	DRAWN BY	DATE	TITLE	JMENDOZA	2012/12/14	IMPACT ORTHOGONAL DIRECT 3 PAIR RAM 90 & 270 ASSY TOP GUIDED SALES DRAWING	CHECKED BY	DATE	TELO	2012/12/14	APPROVED BY	DATE	MOLEX INCORPORATED	TELO	2013/12/26	<table border="1"> <thead> <tr> <th>MATERIAL NO.</th> <th>DOCUMENT NO.</th> <th>SHEET NO.</th> </tr> </thead> <tbody> <tr> <td>SEE CHART</td> <td>SD-171573-0002</td> <td>2 OF 4</td> </tr> </tbody> </table>	MATERIAL NO.	DOCUMENT NO.	SHEET NO.	SEE CHART	SD-171573-0002	2 OF 4
		mm	INCH																																								
	4 PLACES	±---	±---																																								
3 PLACES	±---	±---																																									
2 PLACES	±0.13	±---																																									
1 PLACE	±0.25	±---																																									
ANGULAR ±1/2°																																											
DRAWN BY	DATE	TITLE																																									
JMENDOZA	2012/12/14	IMPACT ORTHOGONAL DIRECT 3 PAIR RAM 90 & 270 ASSY TOP GUIDED SALES DRAWING																																									
CHECKED BY	DATE																																										
TELO	2012/12/14																																										
APPROVED BY	DATE	MOLEX INCORPORATED																																									
TELO	2013/12/26																																										
MATERIAL NO.	DOCUMENT NO.	SHEET NO.																																									
SEE CHART	SD-171573-0002	2 OF 4																																									
DRAFT WHERE APPLICABLE MUST REMAIN WITHIN DIMENSIONS		THIS DRAWING CONTAINS INFORMATION THAT IS PROPRIETARY TO MOLEX INCORPORATED AND SHOULD NOT BE USED WITHOUT WRITTEN PERMISSION																																									

ORTHO POSITION 90°
OD-RAM PIN A1 MAPS
TO RAF PIN J6



REFER TO MOLEX SALES DRAWING SD-76860-002
FOR MATING RECEPTACLES.

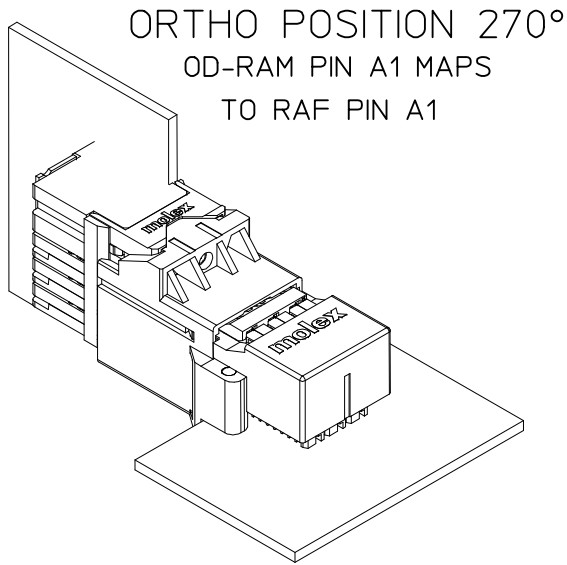
ORTHO PIN MAPPING					
OPTION 90 (NEARSIDE - FARSIDE)					
(A1-J6)	A2-H6	(A3-F6)	A4-E6	(A5-C6)	A6-B6
B1-J5	B2-G6	B3-F5	B4-D6	B5-C5	B6-A6
C1-H5	(C2-G5)	C3-E5	(C4-D5)	C5-B5	(C6-A5)
(D1-J4)	D2-H4	(D3-F4)	D4-E4	(D5-C4)	D6-B4
E1-J3	E2-G4	E3-F3	E4-D4	E5-C3	E6-A4
F1-H3	(F2-G3)	F3-E3	(F4-D3)	F5-B3	(F6-A3)
(G1-J2)	G2-H2	(G3-F2)	G4-E2	(G5-C2)	G6-B2
H1-J1	H2-G2	H3-F1	H4-D2	H5-C1	H6-A2
J1-H1	(J2-G1)	J3-E1	(J4-D1)	J5-B1	(J6-A1)

NOTE: PINOUTS SHOWN IN BALLOONS ARE GROUNDS.
GROUND PATHS ARE NOT DISCRETE CIRCUITS.

MATERIAL NUMBER	# OF COLUMNS	# OF DIFF PAIR	MATE POSITION	DIM P	PTH ϕ
171573-7604	6	18	90	4.90	0.46±0.05
171573-7605	6	18	90	5.50	0.46±0.05
171573-7607	6	18	90	4.90	0.39±0.05
171573-7608	6	18	90	5.50	0.39±0.05

SEE SHEET 1 EC NO: UCP2015-5544 DRAWN BY MILLER 2016/10/07 CHKD: APPR:TELO 2016/10/10	QUALITY SYMBOLS	GENERAL TOLERANCES (UNLESS SPECIFIED)	DIMENSION STYLE	SCALE	DESIGN UNITS	THIRD ANGLE PROJECTION															
	▼=0 ▽=0		MM ONLY	2:1	METRIC																
			<table border="1"> <tr> <th></th> <th>mm</th> <th>INCH</th> </tr> <tr> <td>4 PLACES</td> <td>± ---</td> <td>± ---</td> </tr> <tr> <td>3 PLACES</td> <td>± ---</td> <td>± ---</td> </tr> <tr> <td>2 PLACES</td> <td>± 0.13</td> <td>± ---</td> </tr> <tr> <td>1 PLACE</td> <td>± 0.25</td> <td>± ---</td> </tr> </table> ANGULAR ±1/2°		mm	INCH	4 PLACES	± ---	± ---	3 PLACES	± ---	± ---	2 PLACES	± 0.13	± ---	1 PLACE	± 0.25	± ---	DRAWN BY DATE JMENDOZA 2012/12/14 CHECKED BY DATE TELO 2012/12/14 APPROVED BY DATE TELO 2013/12/26	TITLE IMPACT ORTHOGONAL DIRECT 3 PAIR RAM 90 & 270 ASSY TOP GUIDED SALES DRAWING	
		mm	INCH																		
4 PLACES	± ---	± ---																			
3 PLACES	± ---	± ---																			
2 PLACES	± 0.13	± ---																			
1 PLACE	± 0.25	± ---																			
		DRAFT WHERE APPLICABLE MUST REMAIN WITHIN DIMENSIONS	MATERIAL NO. SEE CHART	DOCUMENT NO. SD-171573-0002	SHEET NO. 3 OF 4																

THIS DRAWING CONTAINS INFORMATION THAT IS PROPRIETARY TO MOLEX INCORPORATED AND SHOULD NOT BE USED WITHOUT WRITTEN PERMISSION



REFER TO MOLEX SALES DRAWING SD-76860-004
FOR MATING RECEPTACLES.

ORTHO PIN MAPPING					
OPTION 270 (NEAR SIDE - FAR SIDE)					
(A1-A1)	A2-B1	(A3-D1)	A4-E1	(A5-G1)	A6-H1
B1-A2	B2-C1	B3-D2	B4-F1	B5-G2	B6-J1
C1-B2	(C2-C2)	C3-E2	(C4-F2)	C5-H2	(C6-J2)
(D1-A3)	D2-B3	(D3-D3)	D4-E3	(D5-G3)	D6-H3
E1-A4	E2-C3	E3-D4	E4-F3	E5-G4	E6-J3
F1-B4	(F2-C4)	F3-E4	(F4-F4)	F5-H4	(F6-J4)
(G1-A5)	G2-B5	(G3-D5)	G4-E5	(G5-G5)	G6-H5
H1-A6	H2-C5	H3-D6	H4-F5	H5-G6	H6-J5
J1-B6	(J2-C6)	J3-E6	(J4-F6)	J5-H6	(J6-J6)

NOTE: PINOUTS SHOWN IN BALLOONS ARE GROUNDS.
GROUND PATHS ARE NOT DISCRETE CIRCUITS.

MATERIAL NUMBER	# OF COLUMNS	# OF DIFF PAIR	MATE POSITION	DIM P	PTH ϕ
171573-7634	6	18	270	4.90	0.46±0.05
171573-7635	6	18	270	5.50	0.46±0.05
171573-7637	6	18	270	4.90	0.39±0.05
171573-7638	6	18	270	5.50	0.39±0.05

SEE SHEET 1 EC NO: UCP2015-5544 DRWN: B. MILLER 2016/10/07 CHKD: APPR: TELO 2016/10/10	QUALITY SYMBOLS	GENERAL TOLERANCES (UNLESS SPECIFIED) mm INCH 4 PLACES ± --- ± --- 3 PLACES ± --- ± --- 2 PLACES ± 0.13 ± --- 1 PLACE ± 0.25 ± --- 0 PLACE ± ±	DIMENSION STYLE	SCALE	DESIGN UNITS	THIRD ANGLE PROJECTION TITLE IMPACT ORTHOGONAL DIRECT 3 PAIR RAM 90 & 270 ASSY TOP GUIDED SALES DRAWING molex MATERIAL NO. SD-171573-0002 DOCUMENT NO.	SHEET NO. 4 OF 4
	=0 =0 =0		MM ONLY	2:1	METRIC		
	DRAFT WHERE APPLICABLE MUST REMAIN WITHIN DIMENSIONS		DRAWN BY DATE JMENDOZA 2012/12/14 CHECKED BY DATE TELO 2012/12/14 APPROVED BY DATE TELO 2013/12/26	SEE CHART SIZE	THIS DRAWING CONTAINS INFORMATION THAT IS PROPRIETARY TO MOLEX INCORPORATED AND SHOULD NOT BE USED WITHOUT WRITTEN PERMISSION		
	REV DESCRIPTION		ANGULAR ±1/2°	SEE CHART	SD-171573-0002		